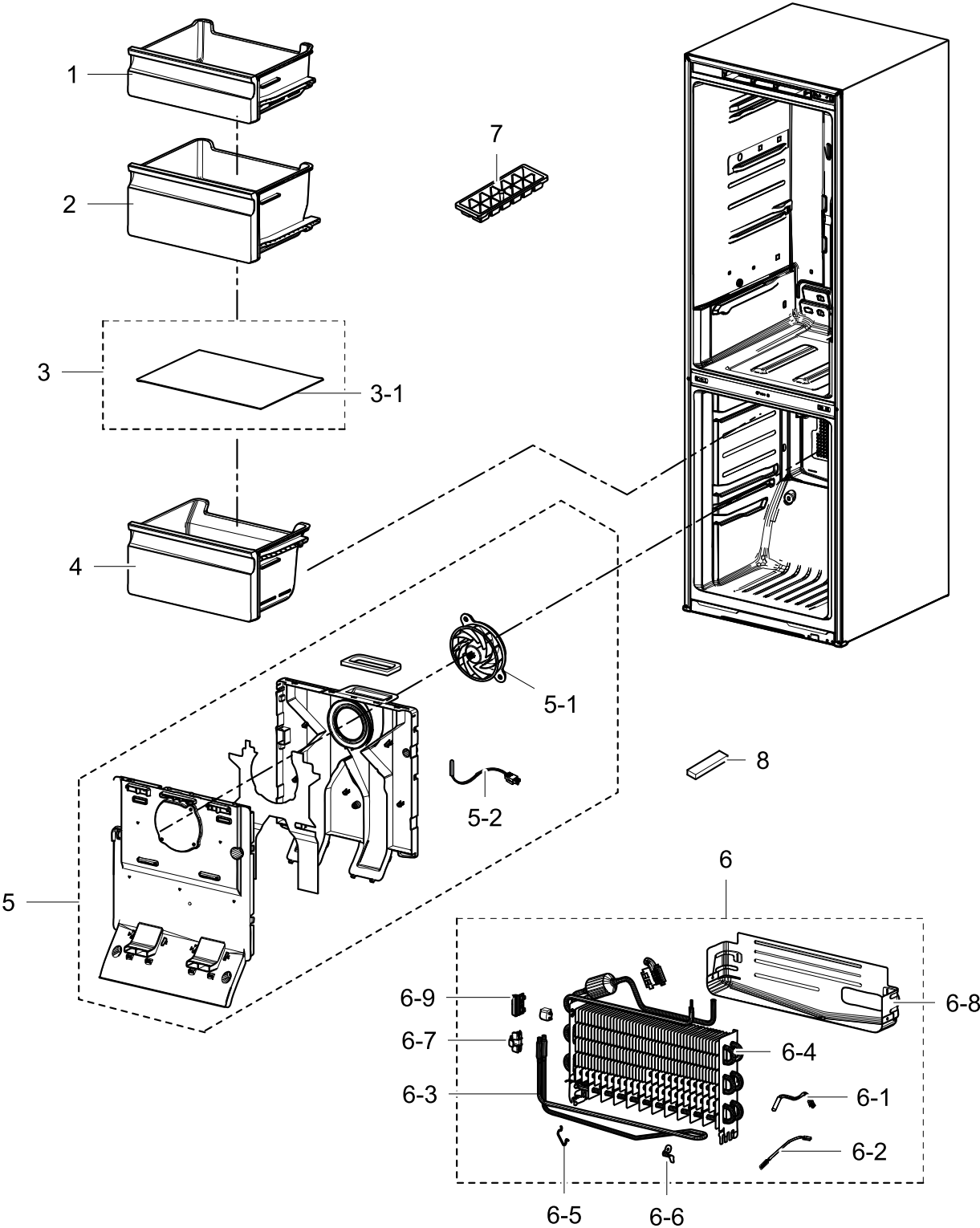


# 1. Freezer

## Exploded View

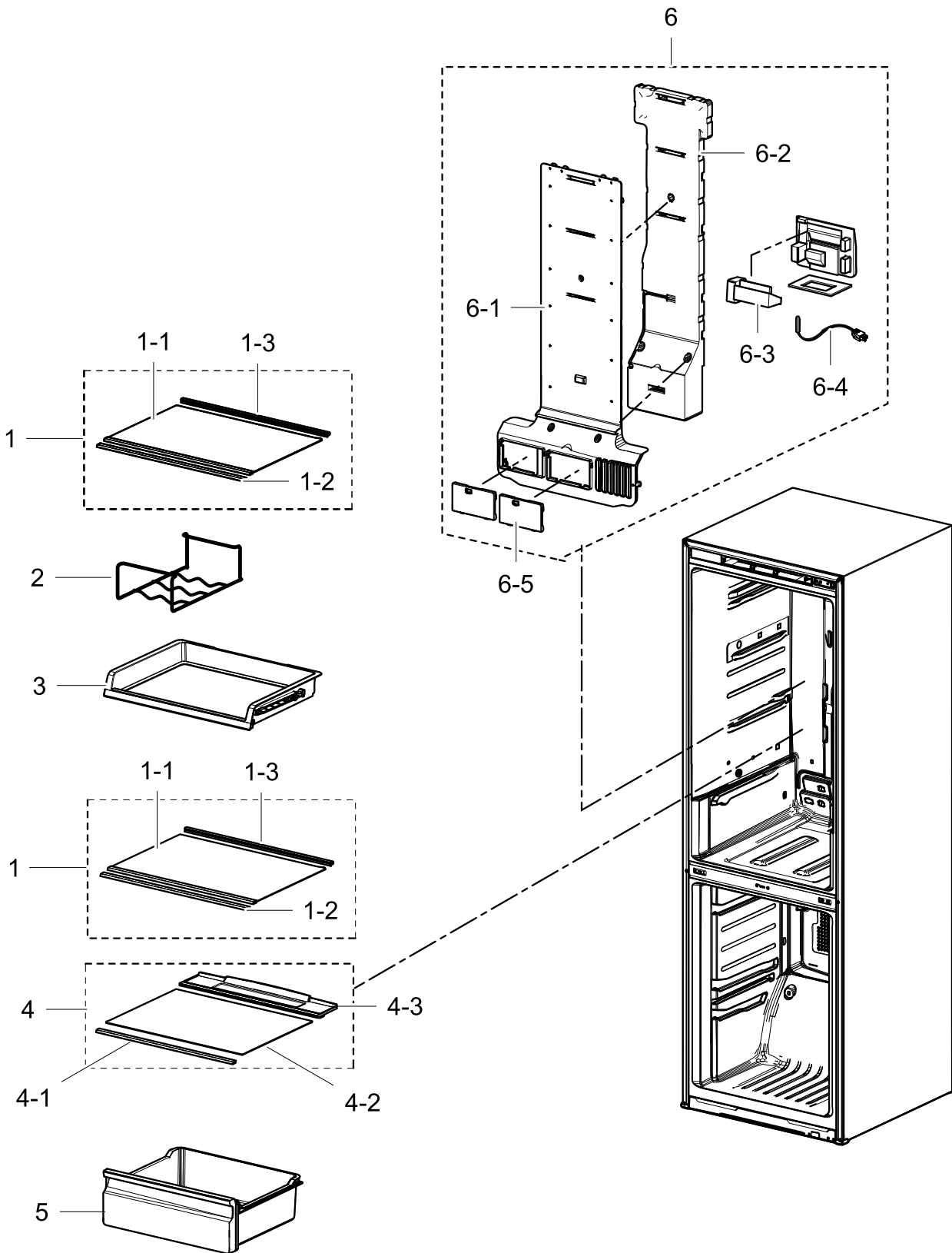


**Parts List**

| No. | Lvl. | Loc.  | Material Code | Description & Specification                  | SNA | Qty. |
|-----|------|-------|---------------|--|-----|------|
| 1   | 2    | M0121 | DA97-13480A   | ASSY TRAY-FRE UPP; 3050,W479.1,L394.3        | SA  | 1    |
| 2   | 2    | G0268 | DA97-13472A   | ASSY TRAY-FRE MID; 3050,W466.3,H227.0        | SA  | 1    |
| 3   | 2    |       | DA97-15985A   | ASSY SHELF GLASS-FRE; RL31/29,NO TRIMS       | SA  | 1    |
| 3-1 | 3    | A0720 | DA67-03645N   | GLASS-SHELF FRE; RL310/290,TEMPERED GLASS    | SNA | 1    |
| 4   | 2    | G0267 | DA97-13475A   | ASSY TRAY-FRE LOW; 3050,W466.2               | SA  | 1    |
| 5   | 2    | M0303 | DA97-13570A   | ASSY COVER EVAP-FRE; 3050,NATURAL            | SA  | 1    |
| 5-1 | 3    |       | DA31-00334A   | MOTOR BLDC FAN; 12035GE-12M-YT-F1,17757      | SA  | 1    |
| 5-2 | 3    | A1018 | DA32-10105X   | SENSOR TEMP;<br>PX-41C,502AT,DKST1329GW,QUEE | SA  | 1    |
| 6   | 2    | A0163 | DA96-01009C   | ASSY EVAP-FRE; 3050-BMF                      | SA  | 1    |
| 6-1 | 3    | A1018 | DA32-00006D   | SENSOR TEMP;<br>PX-41C,502AT,DKST1329GW,EXPO | SNA | 1    |
| 6-2 | 3    | A1008 | DA47-00301D   | THERMO FUSE-ASSY; AC250V,10A,109~110S        | SA  | 1    |
| 6-3 | 3    | A0921 | DA47-00460A   | HEATER METAL SHEATH; AC230V,3050 BMF, 352    | SA  | 1    |
| 6-4 | 3    | A0742 | DA59-00555A   | EVAP FRE; FIN TUBE,AL,3050-PJT               | SNA | 1    |
| 6-5 | 3    |       | DA61-02526A   | FIXER-EVAP FRE,SUB; NEXT,AL,2.0,-,-          | SNA | 1    |
| 6-6 | 3    | M9010 | DA61-03644A   | PLATE-EVAP HEATER; AW-PJT,AL,T0.7,-,-,-      | SA  | 1    |
| 6-7 | 3    | G0205 | DA61-07410A   | FIXER-HEATER FRE; NW2,PP,WHITE,V0            | SA  | 1    |
| 6-8 | 3    | A0754 | DA61-08936A   | PLATE-DRAIN; 3050,GI-SGCC,-,T0.3             | SA  | 1    |
| 6-9 | 3    | A0744 | DA61-07411A   | FIXER-FUSE; NW2,PP,BLACK,RM60                | SA  | 1    |
| 7   | 2    | A0582 | DA67-40146B   | TRAY-ICE; SR-1500,PP,HB,COOL WHITE           | SA  | 1    |
| 8   | 2    |       | DA72-60040W   | SEAL-CUTT RUBBER; TD-PJT,BUTYL RUBBER,BLA    | SA  | 1    |

# 2. Refrigerator

## Exploded View

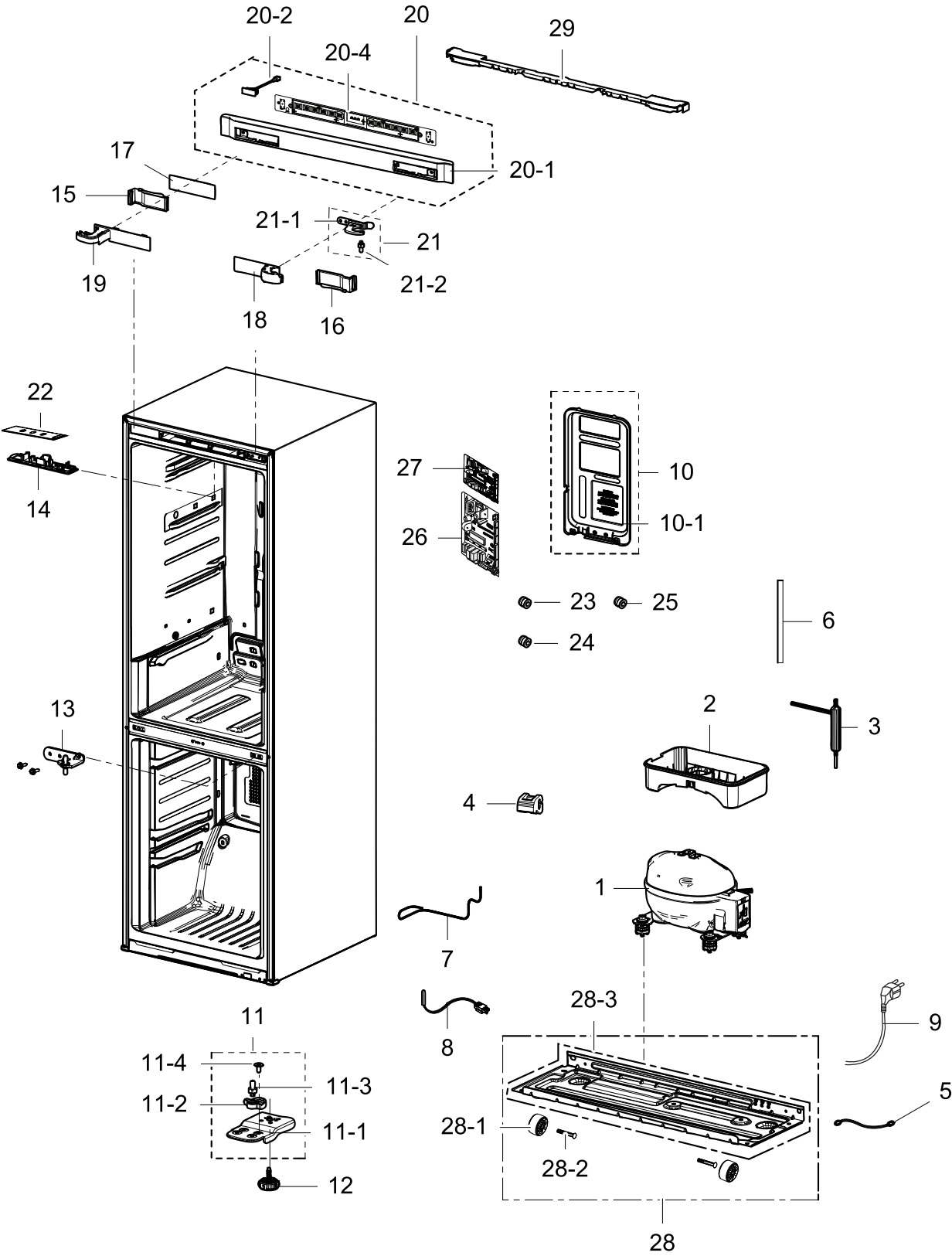


**Parts List**

| No. | Lvl. | Loc.  | Material Code | Description & Specification               | SNA | Qty. |
|-----|------|-------|---------------|---|-----|------|
| 1   | 2    |       | DA97-13502D   | ASSY SHELF GLASS-REF; RL31/29,COOL WHITE  | SA  | 2    |
| 1-1 | 3    | A0720 | DA67-03645K   | GLASS-SHELF REF; RL310/290,TEMPERED GLASS | SNA | 2    |
| 1-2 | 3    |       | DA64-04392A   | TRIM SHELF-FRONT; RT320,HIPS,S834S1,COOL  | SNA | 2    |
| 1-3 | 3    |       | DA64-04395A   | TRIM SHELF-REAR; RT320,HIPS,S834S1,COOL W | SNA | 2    |
| 2   | 3    |       | DA75-00314D   | RACK WINE-HALF; 3050-BMF,MSWR70,HALF,elec | SA  | 1    |
| 3   | 2    |       | DA97-13616A   | ASSY SHELF SLIDE-OUT; 3050(RL310),HOT STA | SA  | 1    |
| 4   | 2    |       | DA97-13550A   | ASSY SHELF-VEG; RL31/29 BETTER,SHELF VEG  | SA  | 1    |
| 4-1 | 3    |       | DA64-04392D   | TRIM SHELF-FRONT VEG; RL31/29,HIPS,HIPS+S | SNA | 1    |
| 4-2 | 4    | A0720 | DA67-03645M   | GLASS-SHELF VEG; RL310/290,TEMPERED GLASS | SNA | 1    |
| 4-3 | 3    |       | DA67-03652A   | SHELF-VEG; RL310/290,ABS,COOL WHITE       | SNA | 1    |
| 5   | 2    | M0236 | DA97-13474A   | ASSY CASE-VEG LOW; 3050,W479.2,H175,6     | SA  | 1    |
| 6   | 2    | G0239 | DA97-13571B   | ASSY COVER MULTI-REF; 3050_BMF,COOL WHITE | SA  | 1    |
| 6-1 | 3    | A0689 | DA63-07426A   | COVER-MULTI REF; 3050_BMF,PP,HB,COOL WHIT | SNA | 1    |
| 6-2 | 3    |       | DA62-04078A   | INSULATION-MULTI REF B; 3050_BMF,PS FOAM, | SNA | 1    |
| 6-3 | 3    | G0242 | DA31-00043F   | MOTOR DC-DAMPER; -,CORE-PJT,Max 60mA,-,-, | SA  | 1    |
| 6-4 | 3    | A1018 | DA32-00006N   | SENSOR TEMP; PX41C,502AT,DKST1329,TGV,-40 | SC  | 1    |
| 6-5 | 3    |       | DA63-06337A   | COVER-CONV MULTI; GRAND CRU,PP,HB,COOL WH | SA  | 2    |

# 3. cabinet

## Exploded View



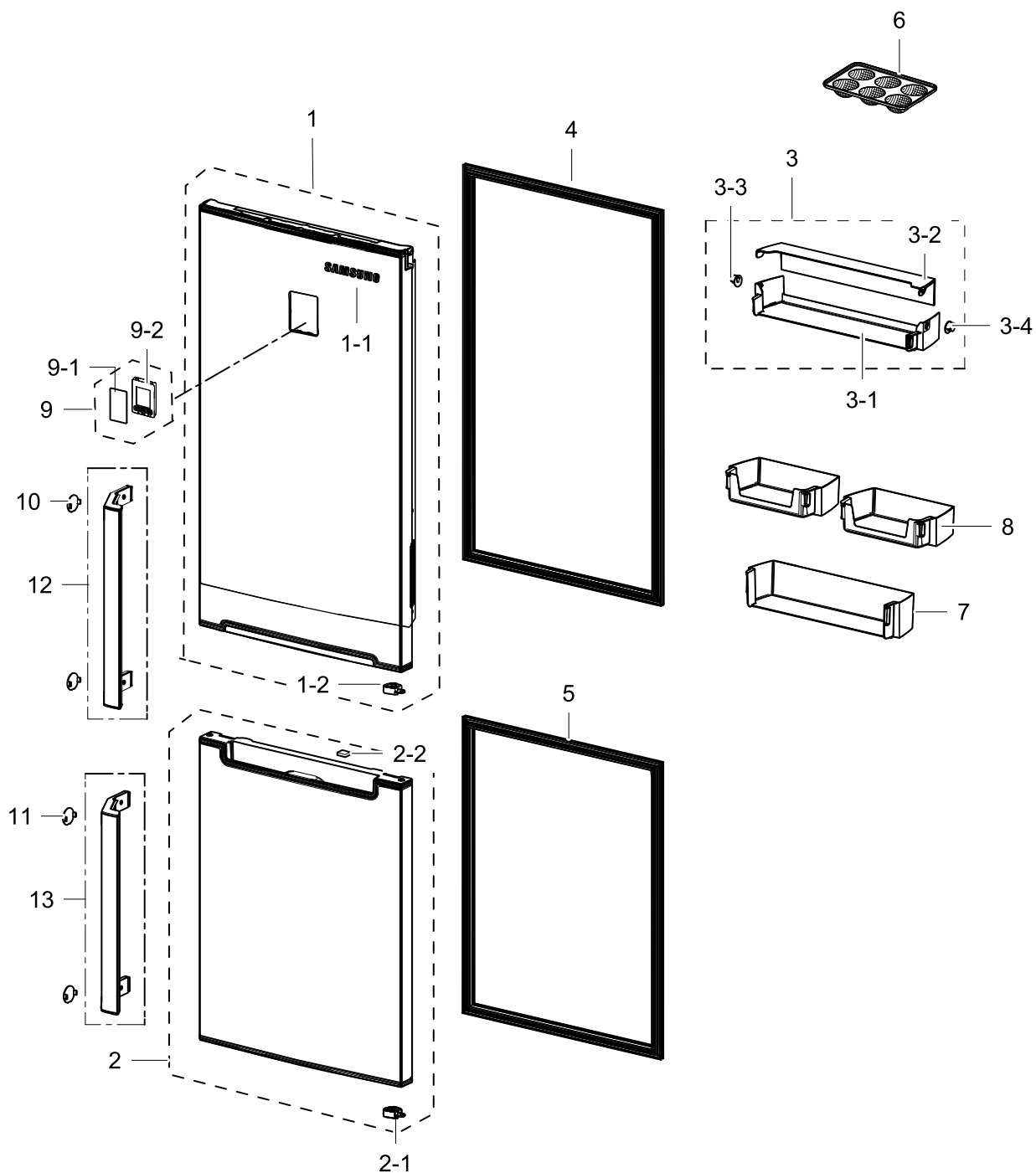
**Parts List**

| No.  | Lvl. | Loc.  | Material Code  | Description & Specification                         | SNA | Qty. |
|------|------|-------|----------------|---|-----|------|
| 1    | 2    |       | MSV488AL1R/TT3 | CMP,REFRIGERATOR,R-600A;<br>CMP,REFRIGERATOR,R-600A |     | 1    |
| 2    | 2    | A0749 | DA97-13658A    | ASSY TRAY-DRAIN WATER;<br>3050_LMF(RB29/31),        | SA  | 1    |
| 3    | 2    | A0669 | DA62-04309C    | DRYER; Cu,118,SINGLE MOUTH,6g                       | SA  | 1    |
| 4    | 2    |       | DA63-07475A    | GROMMET-IMMERSION PIPE D;<br>3050_LMF,NBR,20        | SA  | 1    |
| 5    | 2    | A0562 | DA39-20389A    | ASSY WIRE HARNESS-EARTH; ALL,FREE<br>VOLT,UL        | SA  | 1    |
| 6    | 2    | M0203 | DA62-02982C    | PIPE-CONNECT DISC A; C1220T-1/2H,OD6.35,L           | SA  | 1    |
| 7    | 2    |       | DA62-04325A    | PIPE CONNECT; 3050,CU,-,C1220T,OD6.35,T0.           | SA  | 1    |
| 8    | 2    | A1018 | DA32-10105F    | SENSOR TEMP;<br>502AT,PX-41C,DKST1329GW,ACE,        | SA  | 1    |
| 9    | 2    | A0273 | 3903-000793    | CBF-POWER CORD;<br>AT,E.U,EU3F,3C,250V,16A,B        | SA  | 1    |
| 10   | 2    | M0306 | DA97-13562A    | ASSY COVER-PCB PANEL; 290, 310,GI,3050              | SA  | 1    |
| 10-1 | 3    |       | DA63-07420A    | COVER-PCB PANEL; BMF,GI-SGCC,T0.5,3050              | SC  | 1    |
| 11   | 2    | A0515 | DA97-13557B    | ASSY HINGE LOW; 3050(BMF)                           | SA  | 1    |
| 11-1 | 3    | A0247 | DA61-08990A    | HINGE-LOW; 3050PJ,PO-SPHC,T3.0,LMF                  | SA  | 1    |
| 11-2 | 3    | A0516 | DA61-08991B    | GUIDE-AUTO CLOSE;<br>3050PJ,PA66,HB,HG-0760G        | SA  | 1    |
| 11-3 | 3    | A0518 | DA66-00385A    | SHAFT-HINGE;<br>CORE,SWRCH10A,NATURAL,ZPC3(W        | SA  | 1    |
| 11-4 | 3    | A0848 | DA81-01532A    | SCREW-MACHINE;<br>CH,+,M5,L12.7,ZPC(WHT),SWR        | SA  | 1    |
| 12   | 2    | Z1128 | DA61-07546B    | LEG-FRONT; GRAND<br>CRU-PJT,PP,BLACK,SCRAP,B        | SA  | 2    |
| 13   | 2    | A0513 | DA97-13564A    | ASSY HINGE MID; 3050_BMF                            | SA  | 1    |
| 14   | 2    | A0490 | DA63-07368A    | COVER-LAMP;<br>3050,GPPS,T2.0,TRANSFANRENCY         | SA  | 1    |
| 15   | 2    |       | DA67-03636A    | CAP SPACE-DOOR L;<br>3050,ABS,HB,HG-0760GP,I        | SA  | 1    |
| 16   | 2    |       | DA67-03647A    | CAP SPACE-DOOR R;<br>3050,ABS,HB,HG-0760GP,I        | SA  | 1    |
| 17   | 2    |       | DA61-08932A    | CAP CONTROL-PANEL;<br>3050,ABS,HB,HG-0760GP,        | SA  | 1    |
| 18   | 2    | G0213 | DA63-07384A    | COVER WIRE-HINGE R; 3050,ABS,HB,INOX<br>GRAY        | SA  | 1    |
| 19   | 2    | G0214 | DA63-07385A    | COVER WIRE-HINGE L; 3050,ABS,HB,INOX<br>GRAY        | SA  | 1    |
| 20   | 2    | G0022 | DA97-13615A    | ASSY COVER CONTROL-PANEL;<br>3050PJT,ASSY,IN        | SA  | 1    |
| 20-1 | 3    | A0506 | DA63-07353A    | COVER-CONTROL PANEL; 3050,ABS,HB,INOX<br>GRA        | SA  | 1    |

| No.  | Lvl. | Loc.  | Material Code | Description & Specification                               | SNA | Qty. |
|------|------|-------|---------------|---|-----|------|
| 20-2 | 3    | G0068 | DA34-00043A   | SWITCH REED; UL1007 AWG<br>22,100mm,DEM1-B50              | SA  | 1    |
| 20-4 | 3    |       | REF-PBA1D0047 | 3050 DISPLAY OUTER BMF TSE; 3050<br>DISPLAY OUTER BMF TSE |     | 1    |
| 21   | 2    | A0705 | DA97-13567A   | ASSY HINGE UPP; 3050_BMF                                  | SA  | 1    |
| 21-1 | 3    | A0510 | DA97-13566A   | ASSY HINGE UPP-SUB; 3050_BMF                              | SA  | 1    |
| 21-2 | 3    | A0518 | DA66-00385A   | SHAFT-HINGE;<br>CORE,SWRCH10A,NATURAL,ZPC3(W              | SA  | 1    |
| 22   | 2    | G0090 | DA41-00519R   | ASSY LAMP LED;<br>3ea,CEM-1,65*10,WHITE,SMAW              | SA  | 1    |
| 23   | 2    |       | DA60-00279A   | FITTING-LOKRING 16;<br>GRAND/SAM/HERMES,11SM              | SA  | 1    |
| 24   | 2    |       | DA60-00280A   | FITTING-LOKRING 33;<br>GRAND/SAM/HERMES,11SM              | SA  | 1    |
| 25   | 2    |       | DA60-00281A   | FITTING-LOKRING 43;<br>GRAND/SAM/HERMES,11SM              | SA  | 1    |
| 26   | 1    | A0952 | DA92-00462E   | ASSY PCB MAIN; PBA MAIN,3050<br>BMF,148*197,              | SA  | 1    |
| 27   | 1    |       | DA92-00459E   | ASSY PCB INVERTER;<br>INVERTER,3050,148*98.5              | SA  | 1    |
| 28   | 2    | A0526 | DA97-14151A   | ASSY CHASSIS COMP; 3050-PJT,GI-SGCC, T0.8                 | SA  | 1    |
| 28-1 | 3    | A0527 | DA61-06202A   | CASTER-REAR; GRAND-CRU,PP,NATURAL                         | SA  | 2    |
| 28-2 | 3    | A0861 | DA60-90146A   | PIN-CASTER;<br>SR-289-429,MSWR10,OD6.0,L38,Z              | SA  | 2    |
| 28-3 | 3    | A0526 | DA97-13454A   | ASSY CHASSIS COMP; 3050-PJT,T0.8,RB31                     | SC  | 1    |
| 29   | 2    | G0215 | DA63-07383A   | COVER-WIRE DOOR; 3050,BMF,ABS,INOX<br>GRAY                | SA  | 1    |

# 4. Door

## Exploded View





## Parts List

| No. | Lvl. | Loc.  | Material Code | Description & Specification                            | SNA | Qty. |
|-----|------|-------|---------------|--|-----|------|
| 1   | 2    | A0052 | DA91-03974T   | ASSY DOOR FOAM REF; 290,GOOD,METAL GRAPHI              | SA  | 1    |
| 1-1 | 3    | M0196 | DA64-04020C   | MASCOT; ALL,NI,-,T0.06,L80                             | SA  | 1    |
| 1-2 | 5    |       | DA66-01011B   | LEVER-AUTO CLOSE; 3050PJ,POM,EBONY BLACK,              | SA  | 1    |
| 2   | 2    | M0063 | DA91-03957T   | ASSY DOOR FOAM-FRE; 290LT,Metal graphite,              | SA  | 1    |
| 2-1 | 5    |       | DA66-01011B   | LEVER-AUTO CLOSE; 3050PJ,POM,EBONY BLACK,              | SA  | 1    |
| 2-2 | 5    | A0534 | DA61-03769B   | MAGNET; SVETA,MAGNET,T5,W15,L18                        | SA  | 1    |
| 3   | 2    | A0636 | DA97-15689A   | ASSY GUARD DAIRY; 3050_BMF,ASSY                        | SA  | 1    |
| 3-1 | 3    |       | DA63-07404A   | GUARD-DAIRY CASE; 3050,GPPS,TP BLUE,HB,16              | SA  | 1    |
| 3-2 | 3    |       | DA63-08119A   | COVER DAIRY; RB5000J,GPPS,T3.0,TP BLUE,16              | SA  | 1    |
| 3-3 | 3    |       | DA67-02920A   | CAP-HINGE DAIRY R; HERMES,POM,NTR                      | SA  | 1    |
| 3-4 | 3    |       | DA67-02921A   | CAP-HINGE DAIRY L; HERMES,POM,NTR                      | SA  | 1    |
| 4   | 2    | A0535 | DA97-13594C   | ASSY-GASKET DOOR REF;<br>RB29,3050,GASKET-SE           | SA  | 1    |
| 5   | 2    |       | DA97-12383Y   | ASSY-GASKET DOOR; GRAND-CRU, FRE RL56, RB              | SA  | 1    |
| 6   | 2    | A0656 | DA63-07346A   | TRAY EGG; 3050,GPPS,-,HB,TP BLUE,165N,HI-              | SA  | 1    |
| 7   | 2    | A0151 | DA63-08118A   | GUARD BOTTLE; RB5000J,GPPS,T3.0,TP BLUE                | SA  | 1    |
| 8   | 2    | A0153 | DA63-08117A   | GUARD VARIETY; RB5000J,GPPS,T3.0,TP BLUE               | SA  | 2    |
| 9   | 2    | A0626 | DA97-13300M   | ASSY COVER CONTROL; 3050PJT,ASSY,Ebony BI              | SA  | 1    |
| 9-1 | 3    |       | DA64-04377D   | INLAY CONTROL; 3050PJT BMF,PC,T0.38,BLACK              | SA  | 1    |
| 9-2 | 3    |       | REF-PBA1D0047 | 3050 DISPLAY OUTER BMF TSE; 3050 DISPLAY OUTER BMF TSE |     | 1    |
| 10  | 2    | A0550 | DA67-02780C   | CAP-HANDLE SCREW; ABS,VERSAILLES SILVER                | SA  | 2    |
| 11  | 2    | A0550 | DA67-02780C   | CAP-HANDLE SCREW; ABS,VERSAILLES SILVER                | SA  | 2    |
| 12  | 2    | A0553 | DA97-15091C   | ASSY HANDLE; 3050_BMF,INOX GRAY                        | SA  | 1    |
| 13  | 2    | A0553 | DA97-15091C   | ASSY HANDLE; 3050_BMF,INOX GRAY                        | SA  | 1    |